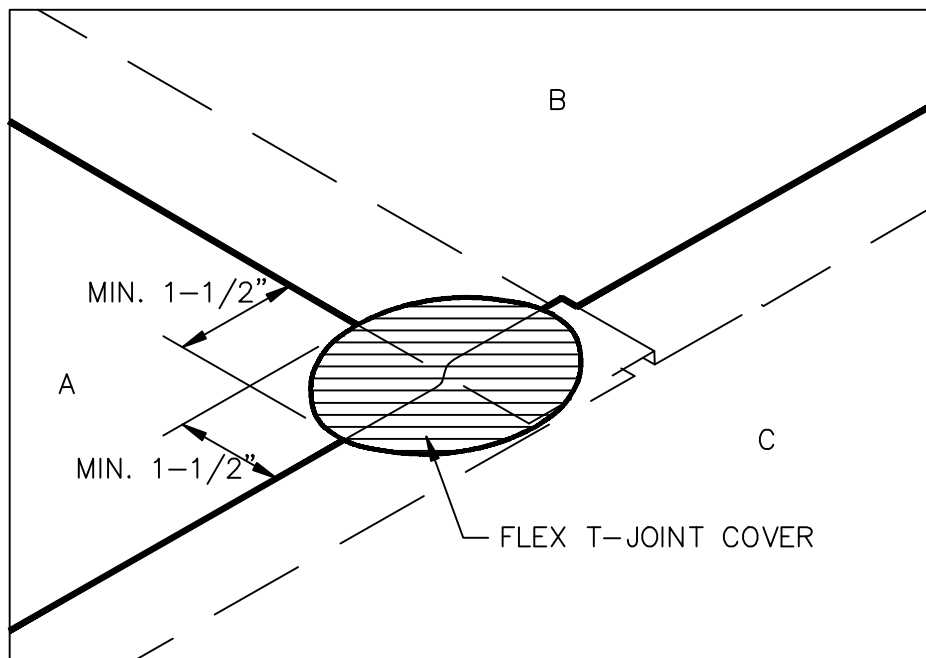


① POSITION SHEETS AND HOT AIR WELD THE FLEX FIELD MEMBRANE A MINIMUM OF 1-1/2 (40 mm) INCHES.



② HOT AIR WELD A 4.5" DIAMETER FLEX T-JOINT COVER CENTERED OVER THE SPLICE INTERSECTION ("T-JOINT") AS SHOWN.

NOTE:
FLEX TPO: FLEX TPO CUT EDGE SEALANT IS REQUIRED ON ALL NON FACTORY CUT EDGES OF FLEX TPO

TITLE		FLEX T-JOINT	
NAME		DETAIL NO. 3.11	
DRAWN BY:		SK	DATE: 12/2017
APPLICABLE TO ALL FLEX			
ADHERED ROOFING SYSTEMS			
FLEX MEMBRANE INTERNATIONAL		2670 LEISCZ'S BRIDGE RD LEESPORT, PA 19533 800-969-0108 FlexRoofingSystems.com	